

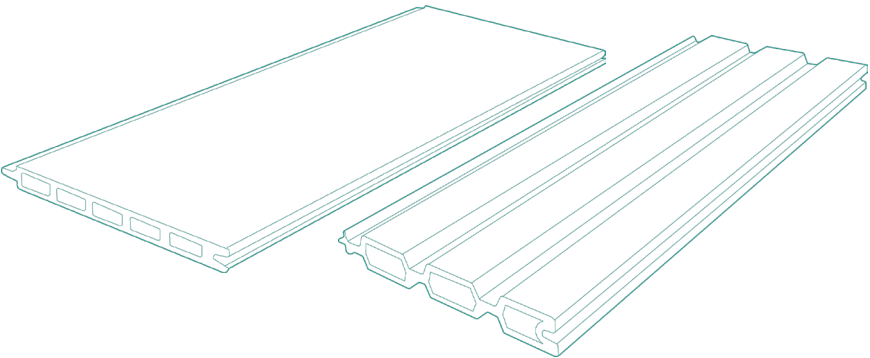


.....

# COMPOSITE FENCING

Installation Guide  
Superior and Elite ranges

.....



 [assuredcomposite.com](https://assuredcomposite.com)

 [info@assuredcomposite.com](mailto:info@assuredcomposite.com)

 0800 802 1357



# CONTENTS

## Tips & Advice 4

---

Handling & storage 6

Recommended tools & safety equipment 7

## Foundations 8

---

Fence posts - Soft foundations 9

Fence posts - Solid foundations 10

## Fence & Accessories 11

---

Existing H posts or solid posts 12

Fence panel slats 13

Fence post trims & caps 14



# TIPS & ADVICE

---



## Plan your project

- Use a minimum of 2 people to make the project easier
- Plan all areas and think about what is trying to be achieved
- Measure twice to ensure the correct measurements are taken before cutting any material
- Ensure all working areas are clear and free from any obstacles to avoid damage or injury
- Clear all vegetation where necessary to avoid unnecessary growth
- Pre-drill holes where necessary to avoid splitting materials

## Prepare for installation

- Allow expansion gaps where advised to avoid unnecessary repairs

## Recommended tools

- Only use Assured fasteners and fixings with Assured products
- Refer to manufacturers user manual before using tools if unsure

## Safety first

- Always wear safety equipment
- Always have safety in mind

## Not sure about anything regarding installation?

Please contact us

 [assuredcomposite.com](https://assuredcomposite.com)

 [info@assuredcomposite.com](mailto:info@assuredcomposite.com)

 0800 802 1357

# HANDLING & STORAGE

## Looking after composite materials

When handling and storing our composite products follow the advice of our experts, this helps prevent damage and injury before installation

- When moving composite products please ensure the correct safety equipment is worn
- Check that the area where the products are being placed are clear and free from any obstacles
- We advise that 2 people move products due to the weight and length
- Do not drag or slide products especially when laying on top of one another
- Allow 24 hours for products to acclimatise to the environment before installation
- Any composite products stored for a long period of time will need to be covered

# RECOMMENDED TOOLS & SAFETY EQUIPMENT

## Safety matters

When installing our products you must install them as safely as possible. Ensure you have the right tools available which have been recommended by our team of experts



Tape Measure



Spanner



Impact Driver



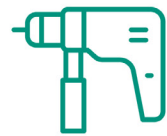
Circular Saw



String Line



Safety Clothing



Hammer Drill



Set Square



Spade



Jigsaw



Spirit Level



Clamp

If you are unsure on how to use any tool refer to the manufacturers user manual before continuing





# FOUNDATIONS

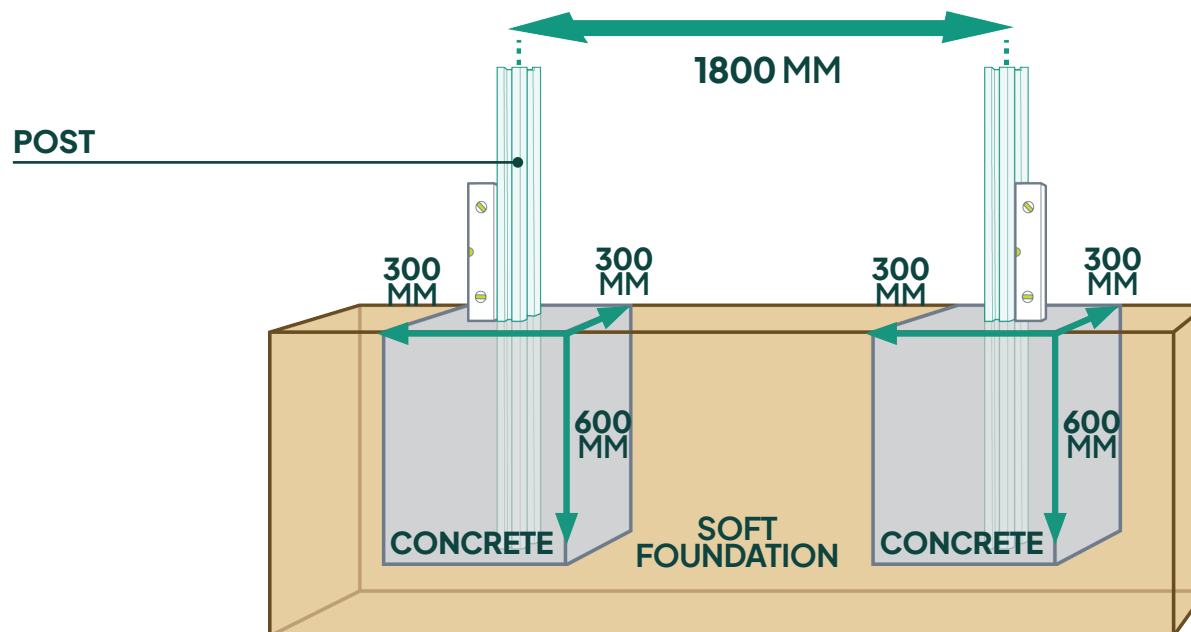
---



# INSTALLING FENCE POSTS ON SOFT FOUNDATIONS

When installing fence posts ensure the area is clear and free of any obstacles including any cables and pipes

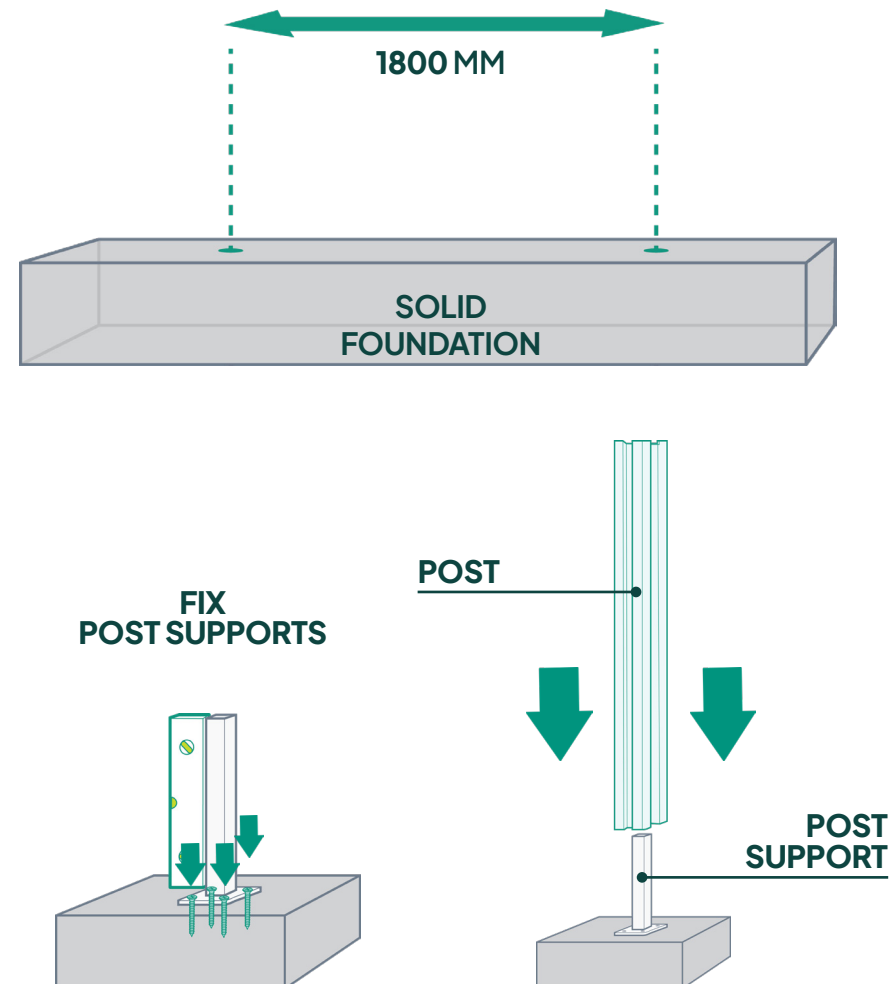
- 1 Measure and mark out the area for the fence posts ensuring the spacing between each post is 1800mm centre to centre
- 2 Dig around the fence post marks 300x300x600mm ensuring that the post will be in the centre of each hole
- 3 Insert posts into the ground 600mm ensuring that the fence posts are facing the right direction to accommodate the fence panel slats and aluminium starter trim. Pour concrete into the holes, level posts and wait to set. Check all dimensions and levels before continuing
- 4 Check all dimensions and levels before continuing. Continue the same process if changing the direction of the fence



# INSTALLING FENCE POSTS ON SOLID FOUNDATIONS

When installing fence posts ensure the area is clear and free of any obstacles including any cables and pipes

- 1 Measure and mark out the area for the fence posts ensuring the spacing between each post is 1800mm centre to centre
- 2 Fix fence post supports to the centre of each mark with the expansion bolts provided. Ensure that the fence post supports are level and are 1800mm centre to centre
- 3 Place fence posts over the top of each fence post support ensuring that the fence posts are facing the right direction to accommodate the fence panel slats and aluminium starter trim
- 4 Check all dimensions and levels before continuing. Continue the same process if changing the direction of the composite fence





# FENCE & ACCESSORIES

---

# INSTALLING TO EXISTING POSTS

- 1 Place aluminium runners between the grooves of each H post. Fix into place using the screws provided

If installing onto solid posts then surface mount the aluminium runners centrally onto each post. Fix into place using the screws provided

Please note that you may have to cut trims and slats depending on the post thickness

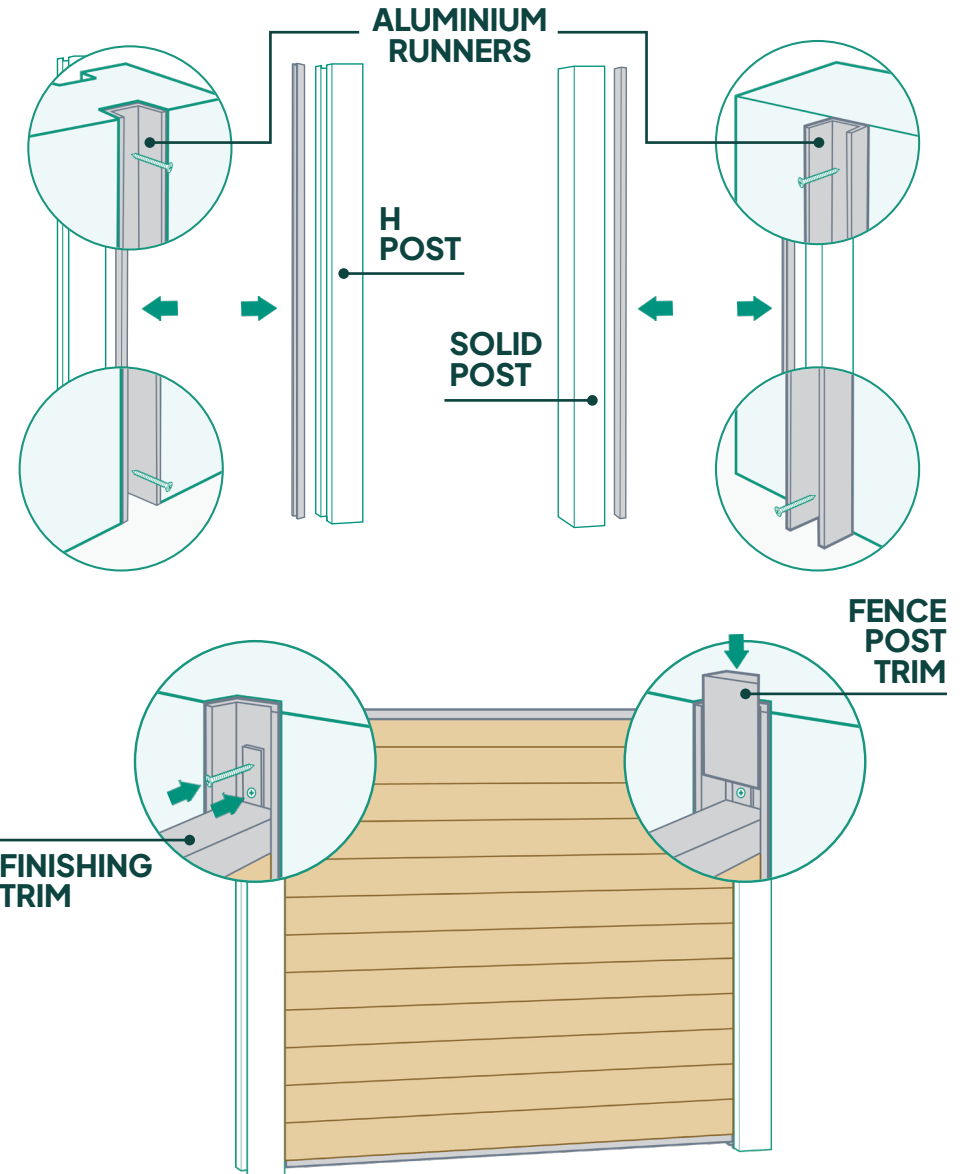
- 2 Please refer to page 13. Once slats have been installed please refer back to this page

- 3 Slide the aluminium finishing trim between the aluminium runners ensuring that the flat side faces up. Push the finishing trim onto the top slat and fix into place using the screws provided

- 4 Measure from the top of the finishing trim to the top of the aluminium runners

- 5 Cut the fence post trims to size and slide between the aluminium runner

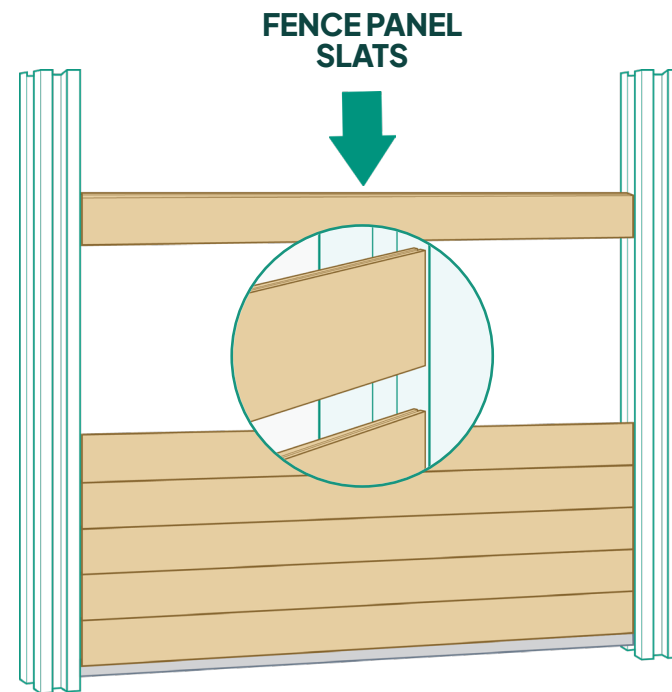
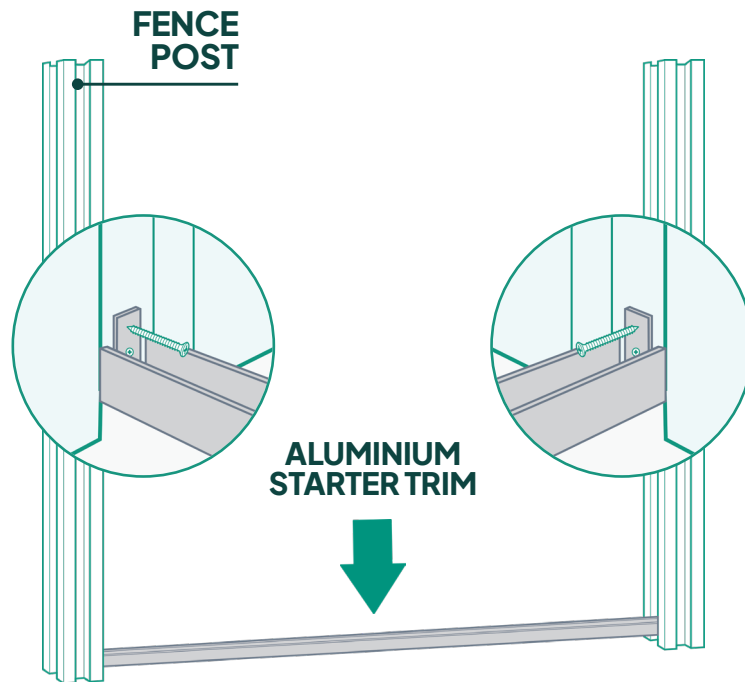
- 6 Continue the same process for all fence posts



# INSTALLING FENCE PANEL SLATS

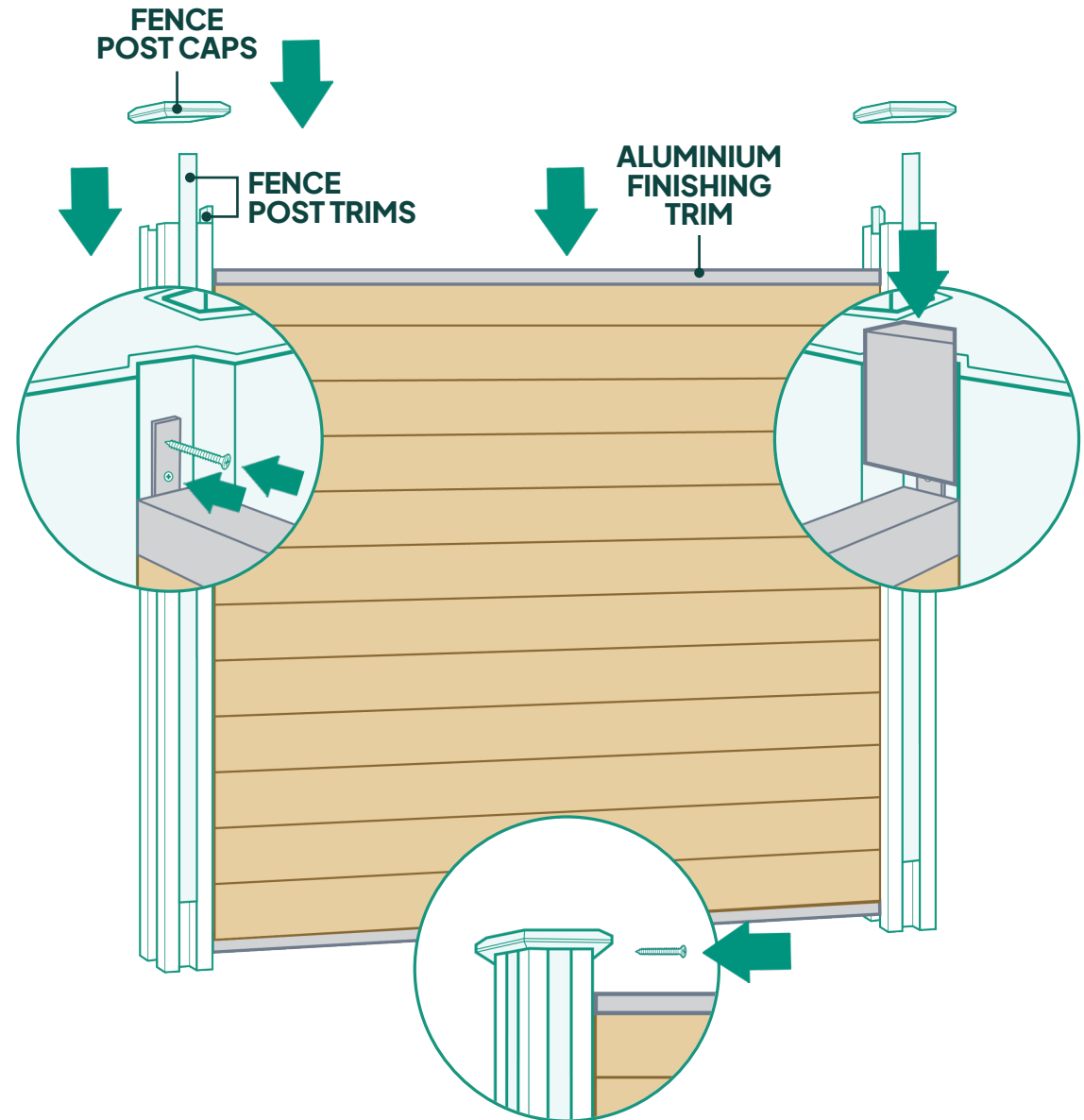
- 1 Slide the aluminium starter trim between the posts ensuring that the flat side faces down to the ground. Fix into place using the screws provided
- 3 Continue the process until you reach the last fence panel slat

- 2 Slide the fence panel slats between the posts ensuring that the first slat is sat in the aluminium starter trim. Ensure a 5mm expansion gap is left either side



# INSTALLING FENCE POST TRIMS & CAPS

- 1 Slide the aluminium finishing trim between the posts ensuring that the flat side faces up. Push the finishing trim onto the top slat and fix into place using the screws provided
- 2 Measure from the top of the aluminium finishing trim to the top of the posts
- 3 Cut the aluminium fence post trims to size and slide between the fence post grooves
- 4 Slide full aluminium fence post trims between the left over grooves of the fence posts
- 5 Clip fence post caps onto the top of each fence post. Fix into place using the screws provided
- 6 Continue the same process for all fences





— ASSURED —  
**AC** COMPOSITE

[assuredcomposite.com](https://assuredcomposite.com)

[info@assuredcomposite.com](mailto:info@assuredcomposite.com)

[0800 802 1357](tel:08008021357)